



Digital Locks






AS2300-AS2304 AS2300 Series

Optional Holdback



FEATURES

-  Optional holdback
-  1000+ combinations
-  Reversible handing



SPECIFICATION

Finish: Satin Chrome/Polished Brass

Construction: Cast housing & knob with Stainless Steel buttons

Buttons: 14 buttons - 13 coded & 1 clear

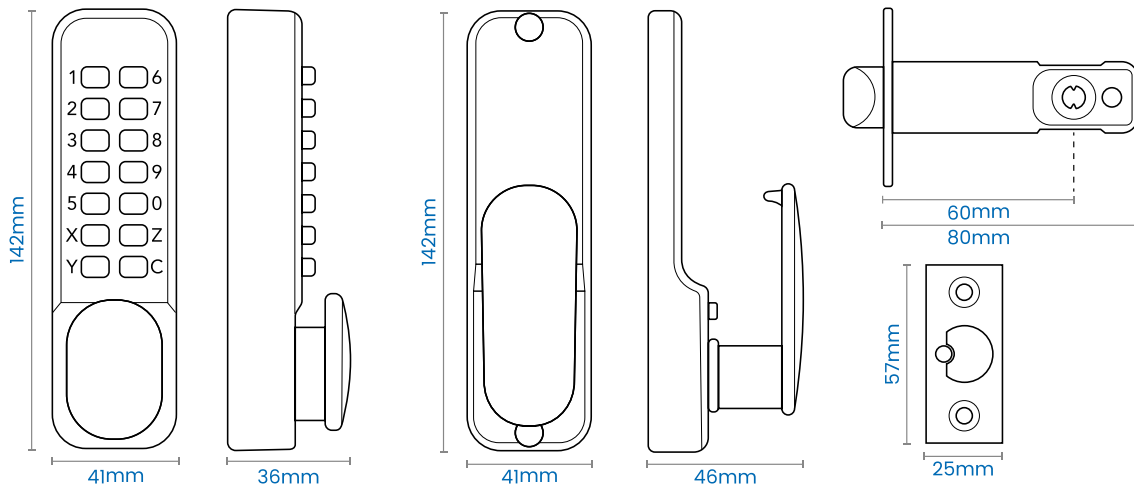
Door type: Suitable for internal and external use

Fixings: 105mm Spindle and fixing kit supplied for door thickness of 35mm to 60mm

Deadlatch: Anti-thrust pin ensures automatic locking when the door is closed

CODE	FINISH	PACKAGING
AS2300	SC	BOXED
AS2301	PB	BOXED
AS2303	SC	VISI
AS2304	PB	VISI

PRODUCT DIMENSIONS



For more details on this or any products in the Asec range please visit our website www.asec.co.uk or email us at info@asec.co.uk

AS3301 AS3300 Series

Easy Code Change / Optional Holdback



FEATURES

- Quick and easy code change
Change the code without removing the unit from the door
- Optional holdback
- Option to disable on-door code change
- 4000+ combinations
- Reversible handing



SPECIFICATION

Finish: Satin Chrome

Construction: Cast housing & knob with Stainless Steel buttons

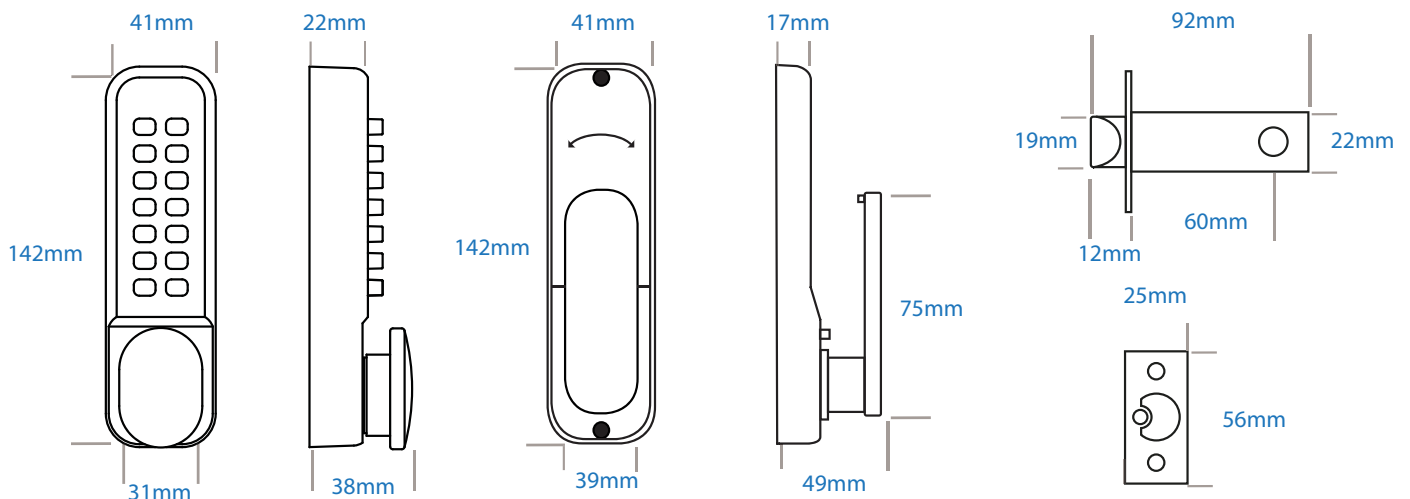
Buttons: 14 buttons - 12 coded, 1 clear & 1 code change

Fixings: 2 flat bladed spindles (80 & 100mm) and fixing kit supplied for thickness up to 54mm

Door type: Suitable for internal and external use

Deadlatch: Anti-thrust pin ensures automatic locking when the door is closed

PRODUCT DIMENSIONS



For more details on this or any products in the Asec range please visit our website
www.asec.co.uk or email us at info@asec.co.uk

AS3302 AS3300 Series

Easy Code Change / Optional Holdback



FEATURES

- Quick and easy code change
Change the code without removing the unit from the door
- Optional holdback
- Option to disable on-door code change
- 4000+ combinations
- Reversible handing



SPECIFICATION

Finish: Stainless Steel PVD

Construction: Cast housing & knob with Stainless Steel buttons

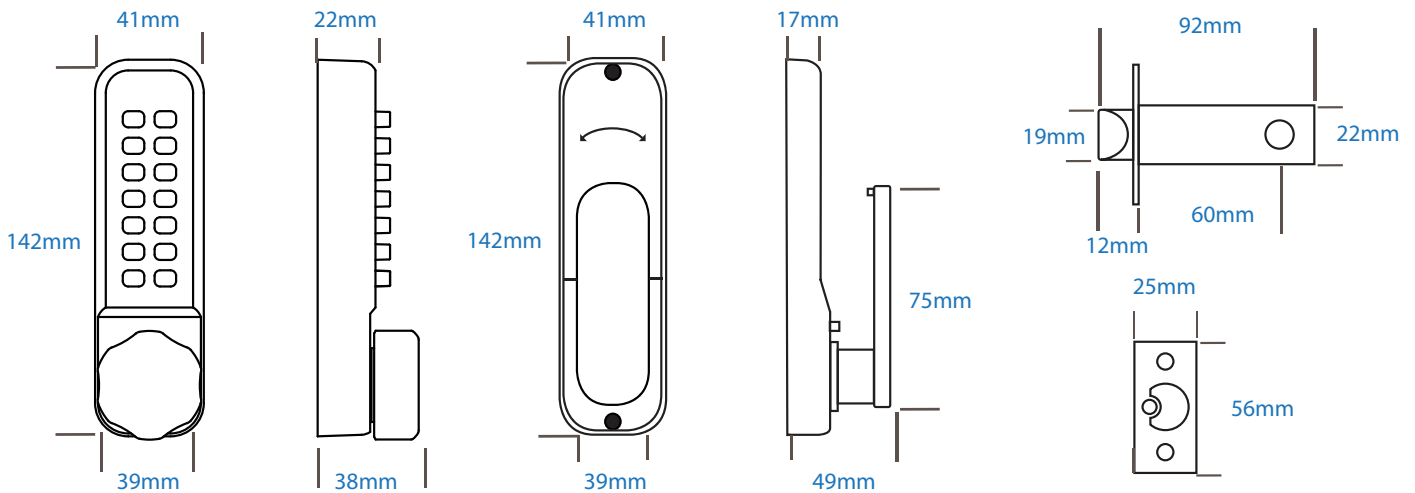
Buttons: 14 buttons - 12 coded, 1 clear & 1 code change

Fixings: 2 flat bladed spindles (80 & 100mm) and fixing kit supplied for door thickness up to 54mm

Door type: Suitable for internal and external use

Deadlatch: Anti-thrust pin ensures automatic locking when the door is closed

PRODUCT DIMENSIONS



For more details on this or any products in the Asec range please visit our website
www.asec.co.uk or email us at info@asec.co.uk

AS3303 AS3300 Series

Easy Code Change / Optional Holdback /
Key Override



FEATURES

- Quick and easy code change
Change the code without removing the unit from the door
- Optional holdback
- Option to disable on-door code change
- Key override
- 4000+ combinations
- Reversible handing



SPECIFICATION

Finish: Satin Chrome

Construction: Cast housing & knob with Stainless Steel buttons

Buttons: 14 buttons - 12 coded, 1 clear & 1 code change

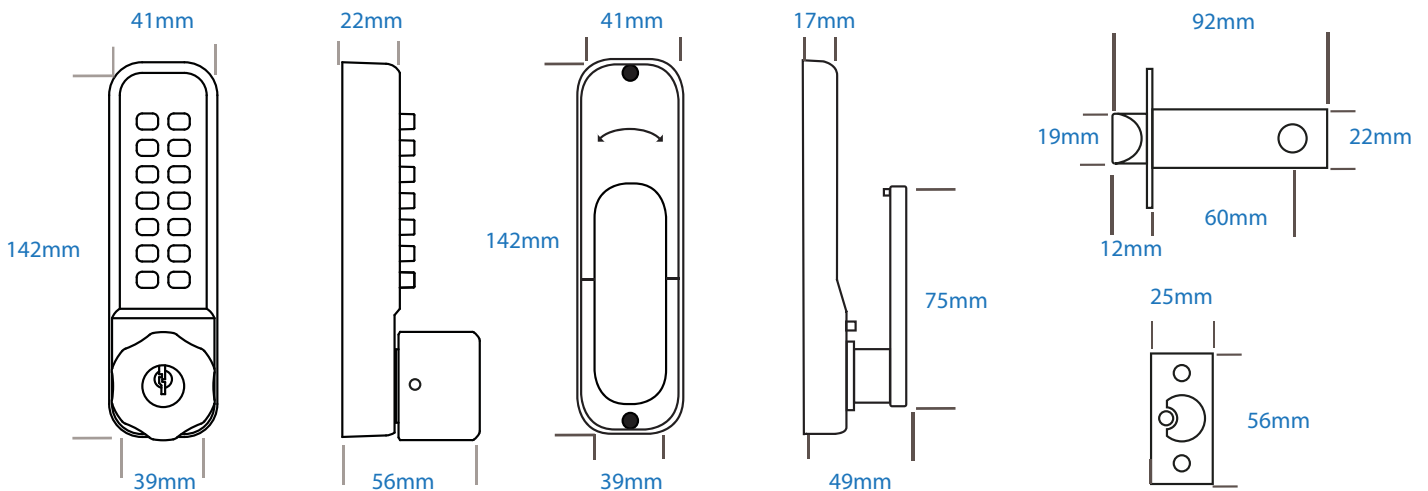
Fixings: 1 flat bladed sprung spindles (120mm) and fixing kit supplied for door thickness up to 54mm

Door type: Suitable for internal and external use

Deadlatch: Anti-thrust pin ensures automatic locking when the door is closed

Cylinder: 6 pin removable cylinder with 3 keys

PRODUCT DIMENSIONS






For more details on this or any products in the Asec range please visit our website
www.asec.co.uk or email us at info@asec.co.uk

AS4301 AS4300 Series

Clutched Handle



FEATURES

-  Clutched handle
Protects against force -
Clutch disengages latch
-  2000+ combinations
-  Reversible handing



SPECIFICATION

Finish: Satin Stainless

Construction: Cast housing & knob with Stainless Steel buttons

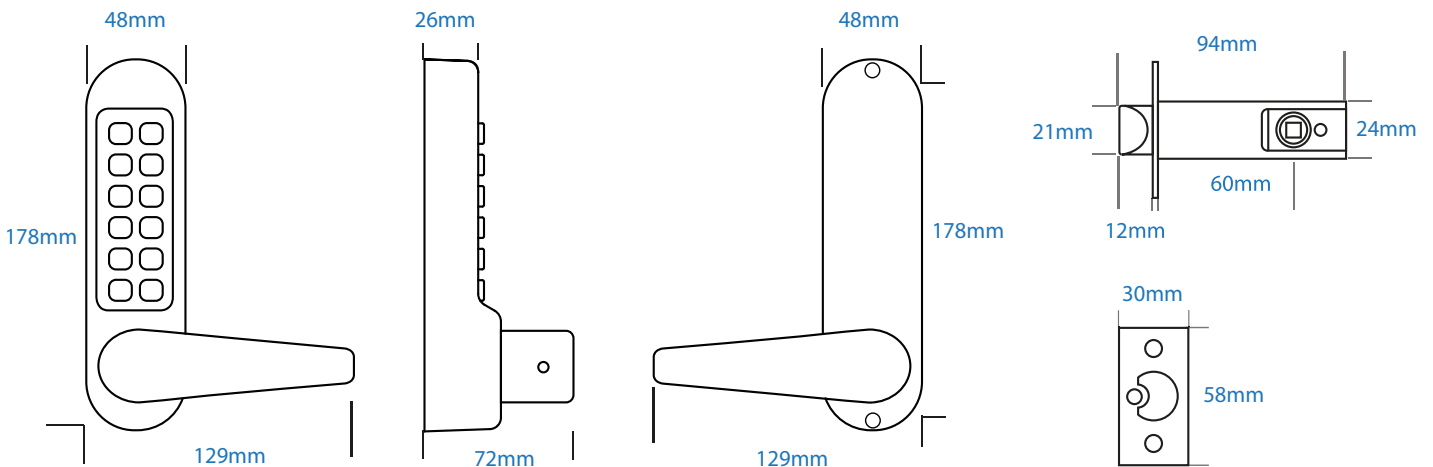
Buttons: 12 buttons - 10 Coded, 1 clear & 1 Free passage (non-functional)

Fixings: 8mm bladed spindle, fixing kit supplied for doors up to 60mm thickness

Door type: Suitable for internal and external use

Deadlatch: Anti-thrust pin ensures automatic locking when the door is closed

PRODUCT DIMENSIONS



For more details on this or any products in the Asec range please visit our website
www.asec.co.uk or email us at info@asec.co.uk

AS4302 AS4300 Series

Clutched Handle / Free Passage Mode



FEATURES

-  Clutched handle
Protects against force -
Clutch disengages latch
-  Free passage mode
-  2000+ combinations
-  Reversible handing



SPECIFICATION

Finish: Satin Stainless

Construction: Cast housing & knob with Stainless Steel buttons

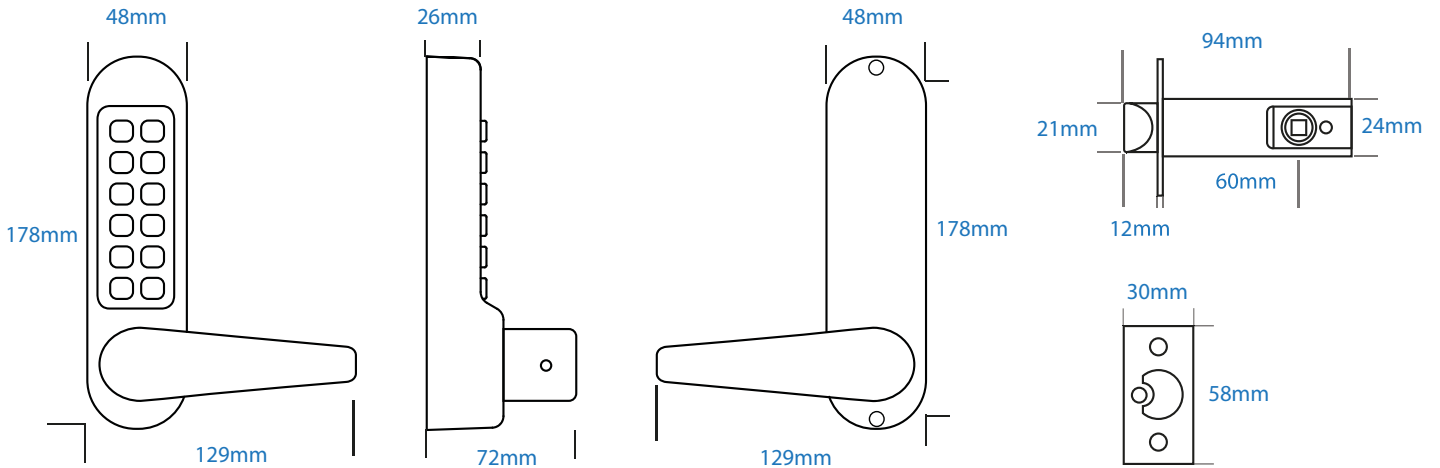
Buttons: 12 buttons - 10 Coded, 1 clear & 1 Free passage

Fixings: 8mm bladed spindle, fixing kit supplied for doors up to 60mm thickness

Door type: Suitable for internal and external use

Deadlatch: Anti-thrust pin ensures automatic locking when the door is closed

PRODUCT DIMENSIONS



For more details on this or any products in the Asec range please visit our website
www.asec.co.uk or email us at info@asec.co.uk

AS4303 AS4300 Series

Easy Code Change / Free Turning Handle / Free Passage Mode



FEATURES

- Quick and easy code change
Change the code without removing the unit from the door
- Free turning handle
Protects against force -
Handle engages with code
- Free passage mode
- 1000+ combinations
- Reversible handing



SPECIFICATION

Finish: Satin Stainless

Construction: Cast housing & knob with Stainless Steel buttons

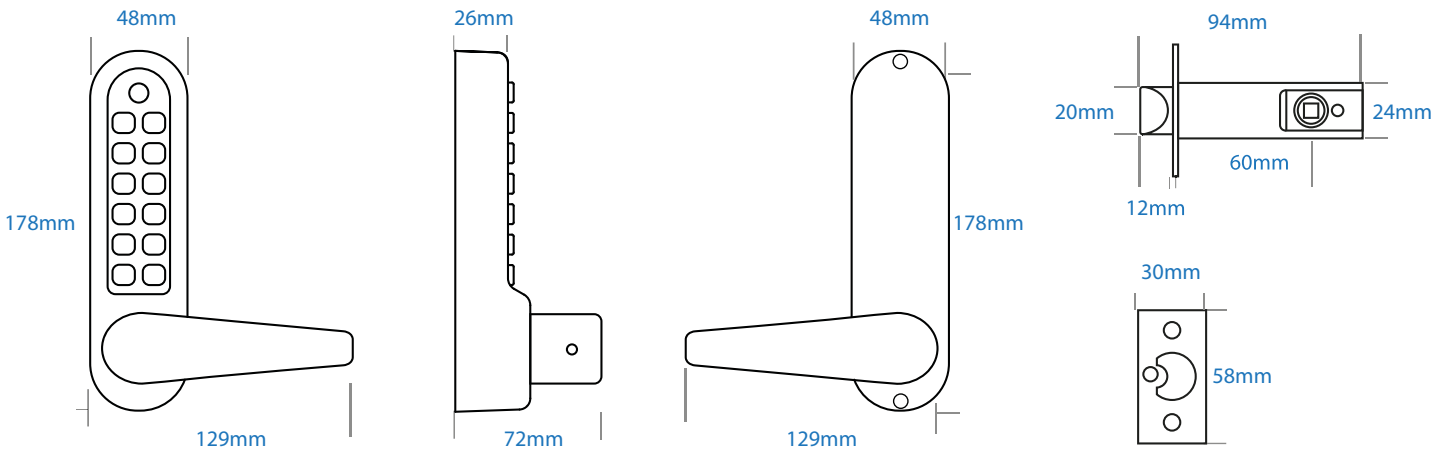
Buttons: 12 buttons - 10 Coded, 1 clear & 1 Free passage

Fixings: 8mm bladed spindle, fixing kit supplied for doors up to 60mm thickness

Door type: Suitable for internal and external use

Deadlatch: Anti-thrust pin ensures automatic locking when the door is closed

PRODUCT DIMENSIONS






For more details on this or any products in the Asec range please visit our website www.asec.co.uk or email us at info@asec.co.uk

AS4304 AS4300 Series

Clutched Handle / No Latch Supplied



FEATURES

-  Clutched handle
Protects against force -
Clutch disengages latch
-  2000+ combinations
-  Reversible handing



SPECIFICATION

Finish: Satin Stainless

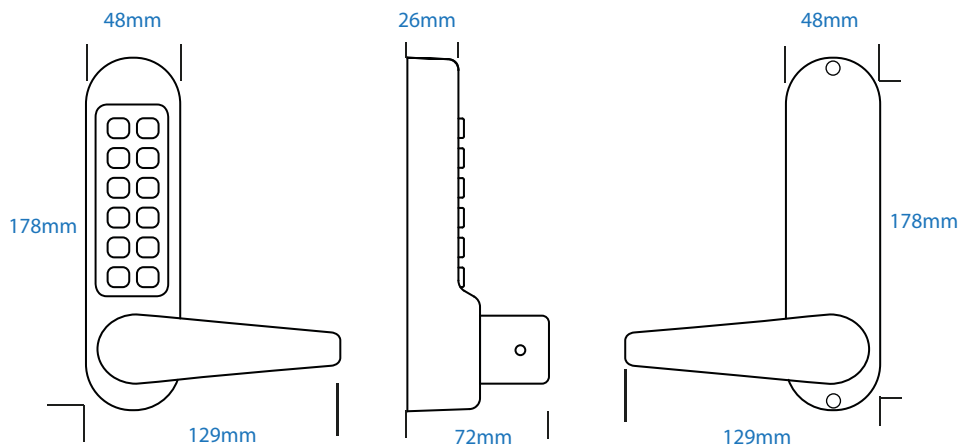
Construction: Cast housing & knob with Stainless Steel buttons

Buttons: 12 buttons - 10 Coded, 1 clear & 1 Free passage (non-functional)

Fixings: 8mm bladed spindle, fixing kit supplied for doors up to 60mm thickness

Door type: Suitable for internal and external use

PRODUCT DIMENSIONS



For more details on this or any products in the Asec range please visit our website
www.asec.co.uk or email us at info@asec.co.uk

AS4305 AS4300 Series

Clutched Handle / Free Passage Mode /
No Latch Supplied



FEATURES

-  Clutched handle
Protects against force -
Clutch disengages latch
-  Free passage mode
-  2000+ combinations
-  Reversible handing



SPECIFICATION

Finish: Satin Stainless

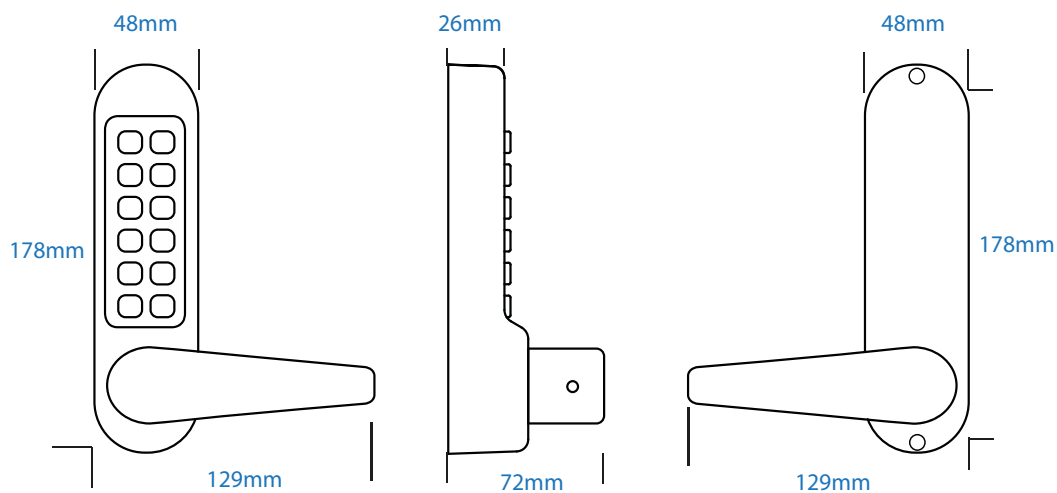
Construction: Cast housing & knob with Stainless Steel buttons

Buttons: 12 buttons - 10 Coded, 1 clear & 1 Free passage

Fixings: 8mm bladed spindle, fixing kit supplied for doors up to 60mm thickness

Door type: Suitable for internal and external use

PRODUCT DIMENSIONS



For more details on this or any products in the Asec range please visit our website
www.asec.co.uk or email us at info@asec.co.uk

AS4306 AS4300 Series

Easy Code Change / Free Turning Handle /
Free Passage Mode / No Latch Supplied



FEATURES

- Quick and easy code change
Change the code without removing the unit from the door
- Free turning handle
Protects against force -
Handle engages with code
- Free passage mode
- 1000+ combinations
- Reversible handing



External code change plug -
Key supplied

SPECIFICATION

Finish: Satin Stainless

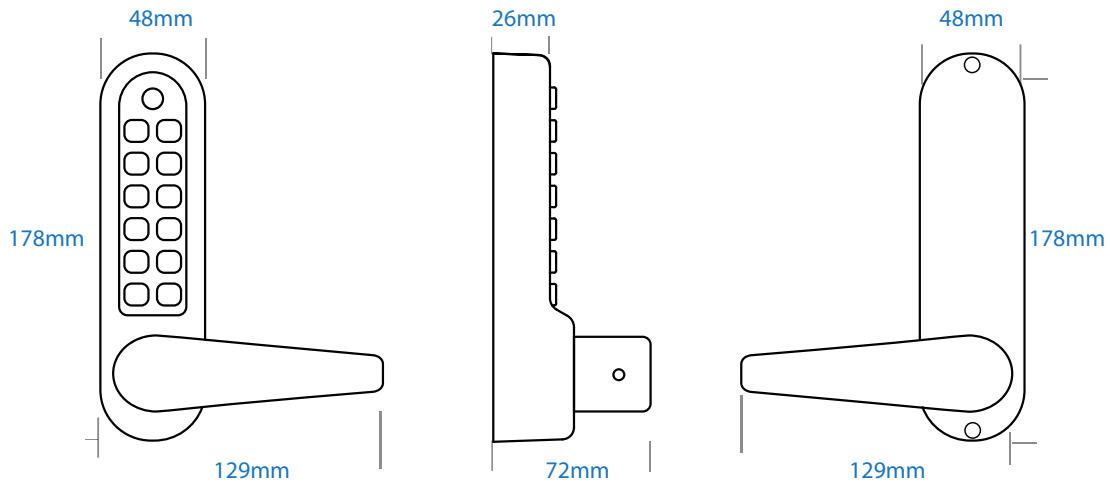
Construction: Cast housing & knob with Stainless Steel buttons

Buttons: 12 buttons - 10 Coded, 1 clear & 1 Free passage

Fixings: 8mm bladed spindle, fixing kit supplied for doors up to 60mm thickness

Door type: Suitable for internal and external use

PRODUCT DIMENSIONS







For more details on this or any products in the Asec range please visit our website
www.asec.co.uk or email us at info@asec.co.uk

AS4307 AS4300 Series

External Handle Only / Clutched Handle /
No Latch Supplied



FEATURES

-  **Clutched handle**
Protects against force -
Clutch disengages latch
-  **Ideal for use with panic hardware**
-  **2000+ combinations**
-  **Reversible handing**



SPECIFICATION

Finish: Satin Stainless

Construction: Cast housing & knob with Stainless Steel buttons

Buttons: 12 buttons - 10 Coded, 1 clear & 1 Free passage (non-functional)

Fixings: 8mm exit spindle, fixing kit supplied

Door type: Suitable for internal and external use

Usage: Designed for use in conjunction with Asec Panic Hardware
or any third party panic hardware (see table to the right)

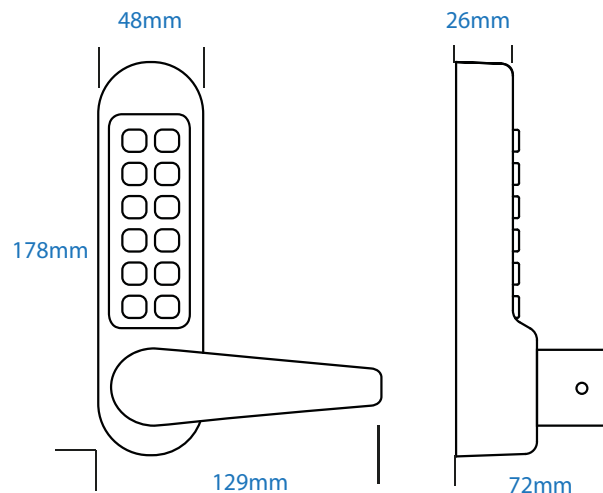
ASEC PUSH PAD

CODE	HANDED
AS3105	Left Hand
AS3106	Right Hand

ASEC PANIC LATCH

CODE	HANDED
AS3101	Left Hand
AS3102	Right Hand

PRODUCT DIMENSIONS




For more details on this or any products in the Asec range please visit our website
www.asec.co.uk or email us at info@asec.co.uk

AS4308 AS4300 Series



External Handle Only / Easy Code Change /
Free Turning Handle / Free Passage Mode /
No Latch Supplied

FEATURES

-  Quick and easy code change
Change the code without removing the unit from the door
-  Free turning handle
Protects against force -
Handle engages with code
-  Ideal for use with panic hardware
-  Free passage mode
-  1000+ combinations
-  Reversible handing



External code change plug -
Key supplied



SPECIFICATION

Finish: Satin Stainless

Construction: Cast housing & knob with Stainless Steel buttons

Buttons: 12 buttons - 10 Coded, 1 clear & 1 Free passage

Fixings: 8mm exit spindle, fixing kit supplied

Door type: Suitable for internal and external use

Usage: Designed for use in conjunction with Asec Panic Hardware or any third party panic hardware (see table to the right)

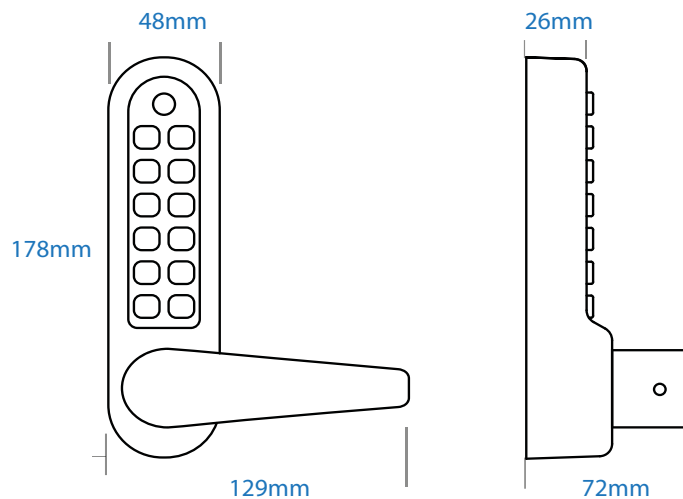
ASEC PUSH PAD

CODE	HANDED
AS3105	Left Hand
AS3106	Right Hand

ASEC PANIC LATCH

CODE	HANDED
AS3101	Left Hand
AS3102	Right Hand

PRODUCT DIMENSIONS



For more details on this or any products in the Asec range please visit our website
www.asec.co.uk or email us at info@asec.co.uk

AS4309 AS4300 Series

Easy Code Change / Free Turning Handle /
Free Passage Mode / Key Override



FEATURES

- Quick and easy code change
Change the code without removing the unit from the door
- Free turning handle
Protects against force -
Handle engages with code
- Free passage mode
- Key override
- 1000+ combinations
- Reversible handing



SPECIFICATION

Finish: Satin Stainless

Construction: Cast housing & knob with Stainless Steel buttons

Buttons: 12 buttons - 10 Coded, 1 clear & 1 Free passage

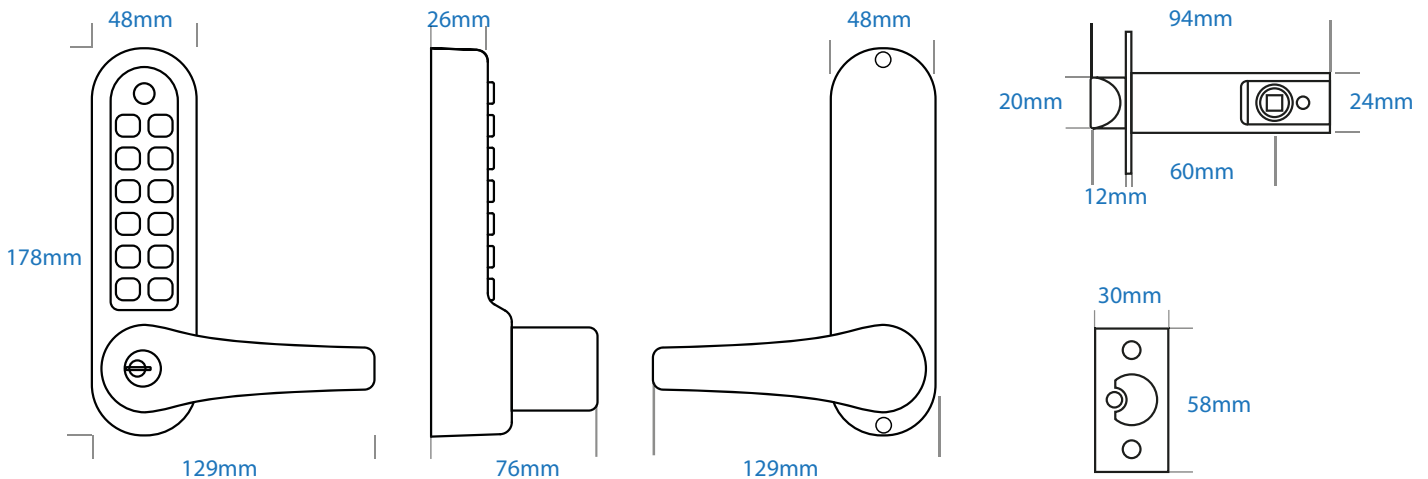
Fixings: 8mm bladed spindle and M4 Stainless Steel screws to suit doors up to 60mm thickness

Door type: Suitable for internal and external use

Deadlatch: Anti-thrust pin ensures automatic locking when the door is closed

Cylinder: 6 pin removable cylinder with 3 keys

PRODUCT DIMENSIONS



For more details on this or any products in the Asec range please visit our website
www.asec.co.uk or email us at info@asec.co.uk

Compare the range...



		AS2300 SERIES				AS3300 SERIES			AS4300 SERIES								
		AS2300	AS2301	AS2303	AS2304	AS3301	AS3302	AS3303	AS4301	AS4302	AS4303	AS4304	AS4305	AS4306	AS4307	AS4308	AS4309
	Finish	SC	PB	SC	PB	SC	SS PVD	SC	SS	SS	SS	SS	SS	SS	SS	SS	SS
	Quick and easy code change					●	●	●			●			●		●	●
	Free turning handle										●			●		●	●
	Clutched keypad handle								●	●		●	●		●		
	Optional holdback	●	●	●	●	●	●	●									
	Free passage mode								●	●	●		●	●		●	●
	External code change plug					●	●	●			●			●		●	●
	Key override							●									●
	Designed for use with Panic Hardware														●	●	
	Combinations	1000+	1000+	1000+	1000+	4000+	4000+	4000+	2000+	2000+	1000+	2000+	2000+	1000+	2000+	1000+	1000+
	Cycle tested	100k+	100k+	100k+	100k+	100k+	100k+	100k+	100k+	100k+	100k+	100k+	100k+	100k+	100k+	100k+	100k+
	Guarantee	5 year	5 year	5 year	5 year	5 year	5 year	5 year	5 year	5 year	5 year	5 year	5 year	5 year	5 year	5 year	5 year

For more details on this or any products in the Asec range please visit our website www.asec.co.uk or email us at info@asec.co.uk



This is Asec.



5 056240 107592 >

www.asec.co.uk