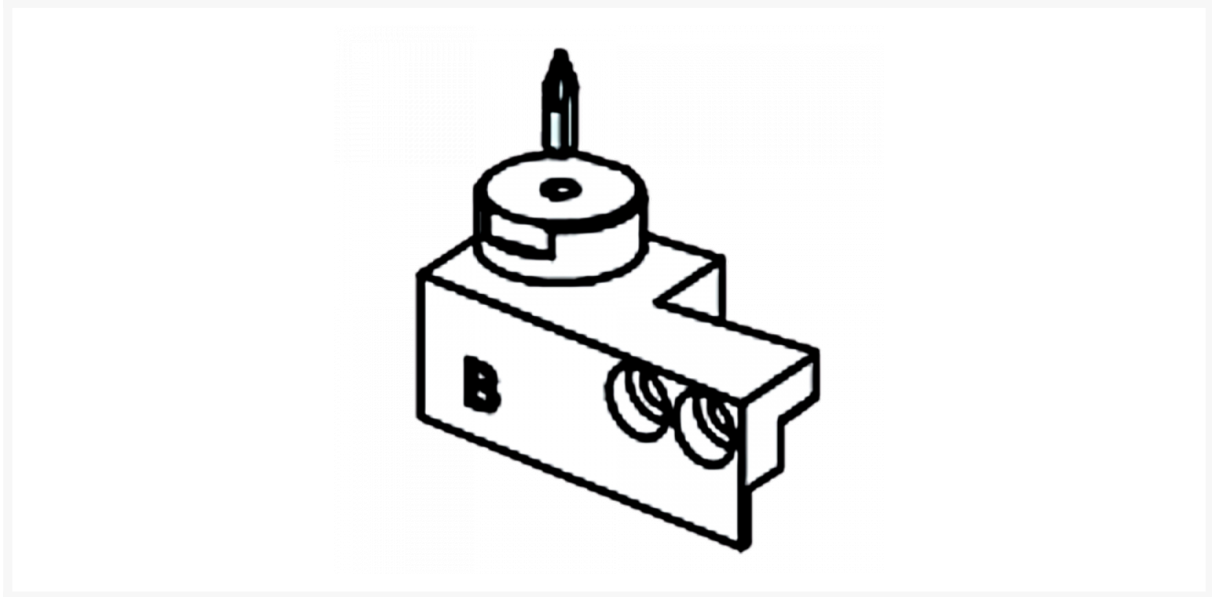




SILCA D9A3349ZR Engraving Arm Set B For Silca Unocode F600/F800/F900



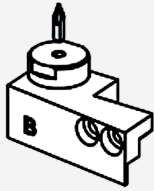
Description

A genuine engraving arm set B suitable for the Unocode F600, F800 and F900 key cutting machines.

Features

- High quality Silca product
- To suit Silca Unocode F600/F800/F900
- Engraving arm set B

Product Table



L34126

D9A3349ZR