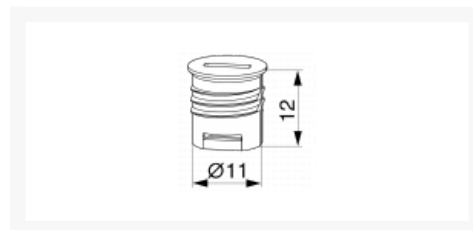
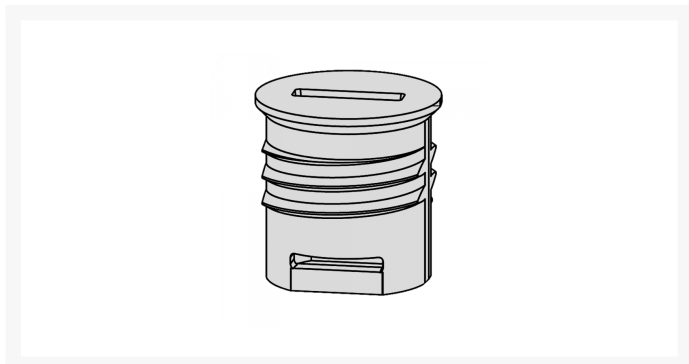




## MACO M-TS Centre Keep Magnet Sensor For Timber & Composite



### Description

---

Maco M-TS sensor magnet to suit motorised centre strike on timber and composite doors.

### Features

---

- Magnet sensor
- For use with motorised strike on timber & composite doors

### Product Table

---



**L35100**

4mm Air Gap