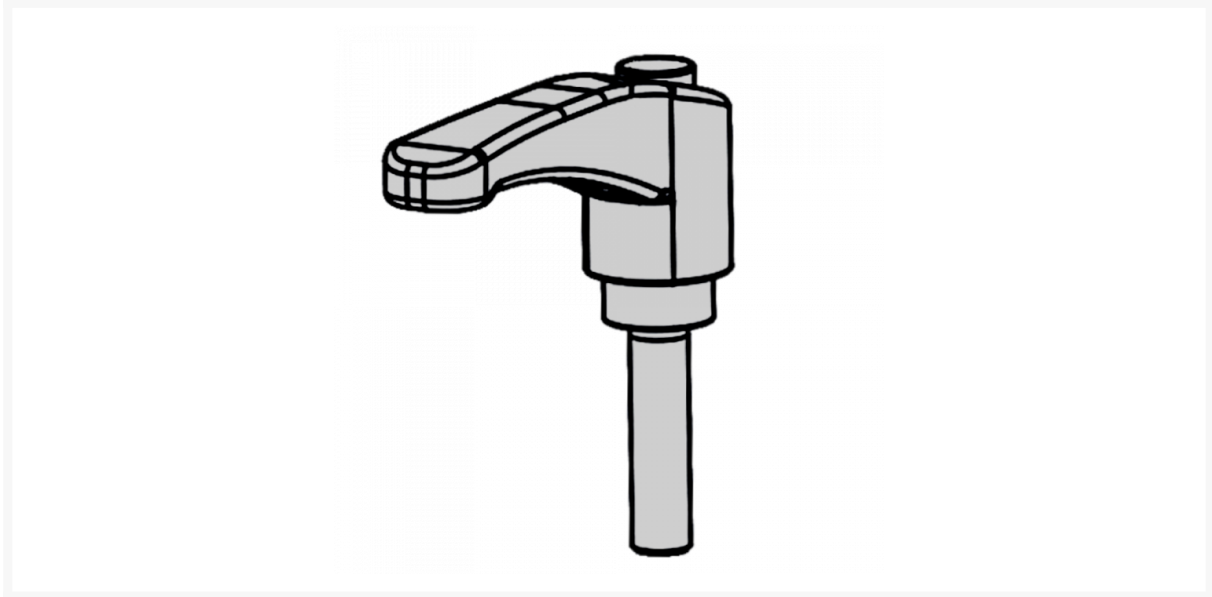




## SILCA D944075ZR Jaw Handle To Suit Fastbit Key Cutting Machine



### Description

---

A genuine Silca replacement jaw handle for the Silca Fastbit key cutting machine.

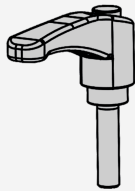
### Features

---

- High quality Silca product
- Suits Silca Fastbit key cutting machine

# Product Table

---



**L35573**

D9444075ZR